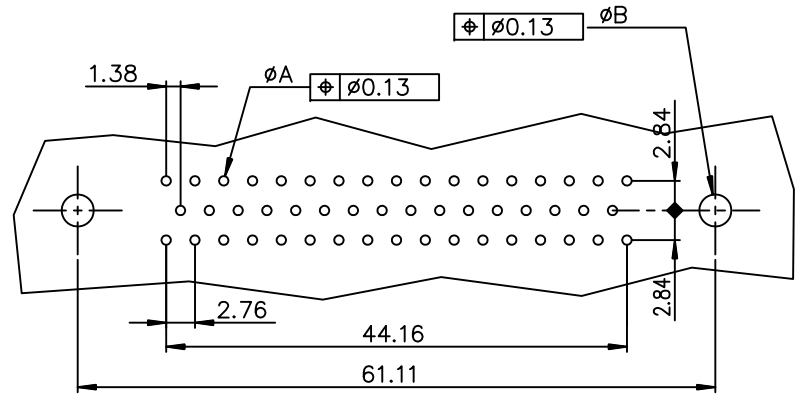
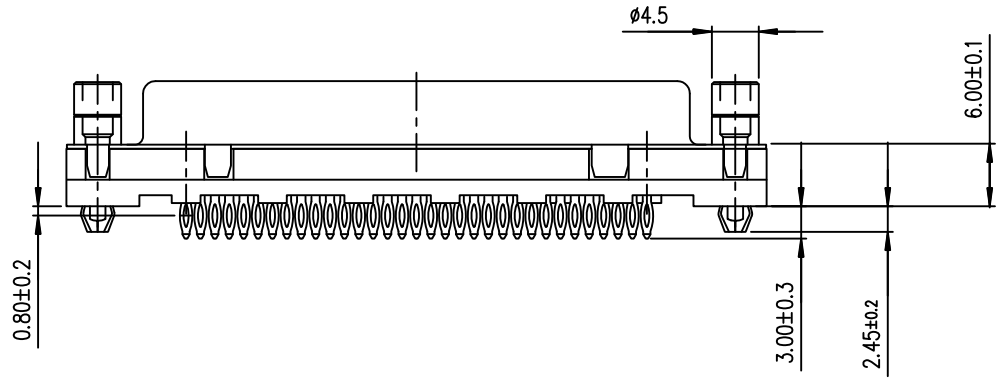


PC board drilling dimensions
(after plating – thickness: 1.60 to 3.20 mm)



ROHS PART NUMBER

PART NUMBER	
200 Mating	D50S91C4GI00LF
500 Mating	D50S91C6GI00LF

GENERAL CHARACTERISTICS AND ROHS INFORMATIONS:

SEE DRAWING C01-8646-0001

mat'l. code		surface ISO 1302 ✓		tolerance ISO 406 ISO 1101		projection		product family D-SUB	
ltr	ecn no	dr	date	tolerances unless otherwise specified		mm		title	
B	LS05-0056	MPE	2005-07-04	angles	linear	mm		FEMALE CONNECTOR DELTA D	
C	LS06-0097	LGO	2006-07-28	0°±2'		scale 2:1		STRAIGHT PRESS FIT-FEMALE M3	
D	LS06-0140	LGO	2006-11-21					dwg no sheet 1 of 1 size	
E	111-0062	RPK	2011-04-05	dr	PESSON	1996-09-17		C01-8646-0499 A3	
F	ELX-I-24020	AAB	2016-06-06	eng	MITHUN PAUL	2016-06-06		type Product Customer Drawing	
				chr	ATHUL A.B	2016-06-06			
				appd	BIJU K PAUL	2016-06-06			
sheet index	revision	F							
	sheet	1							