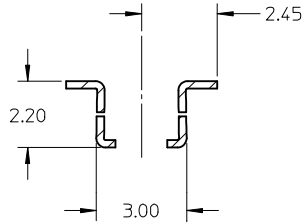
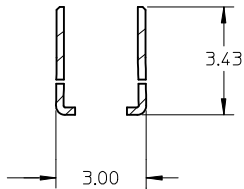


SECTION Z-Z



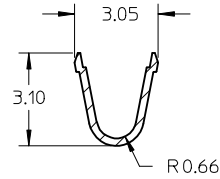
SECTION Y-Y

△ BEND WING TYPE

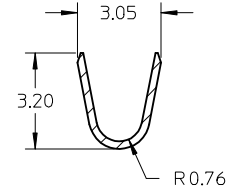


SECTION Y-Y

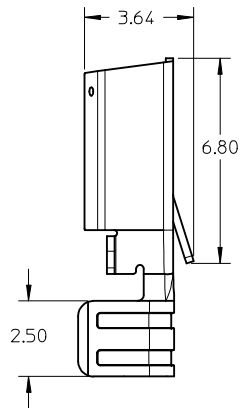
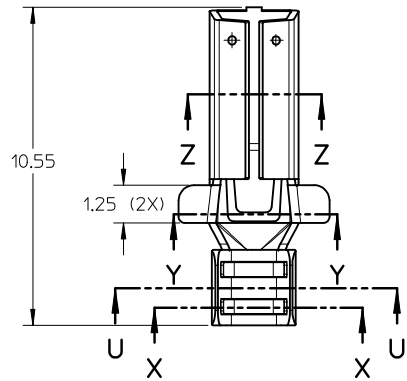
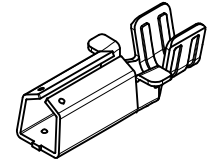
STRAIGHT WING TYPE △



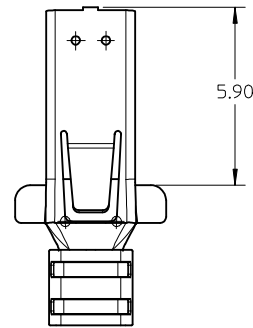
SECTION X-X



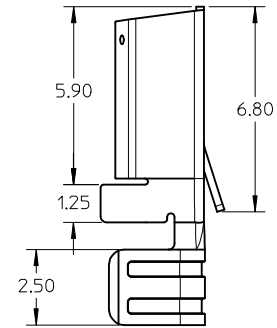
SECTION U-U



BEND WING TYPE △



STRAIGHT WING TYPE △



NOTES:

- MATERIAL : COPPER ALLOY  
PLATING SPEC.: 0.94μm MIN. TIN OVER 0.54μm MIN. NICKEL UNDERPLATE.
- HOUSING TO BE USED WITH : SEE TABLE.
- CRIMP SPECIFICATION : CS-78036-001
- PRODUCT SPECIFICATION : SEE TABLE
- PACKAGING INFORMATION : PAPER REEL
- △ THE FIGURE SHOWN IS FOR ILLUSTRATION PURPOSE.  
IT IS APPLIED TO BOTH STRAIGHT AND BEND WING TYPE.
- △ REFER TO TABLE FOR PART NUMBER.

ADD DIM 3.64	EC NO: S2009-0512	2009/02/06
	DRWN:GEMEARLY	2009/02/06
A2	CHKD:CGOH	2009/02/06
	APPR:BOKOK	2009/02/06

QUALITY SYMBOLS	DESCRIPTION
▽=0	
∇=0	

GENERAL TOLERANCES (UNLESS SPECIFIED)	mm	INCH
	4 PLACES ± ---	± ---
DRAFT WHERE APPLICABLE MUST REMAIN WITHIN DIMENSIONS	3 PLACES ± ---	± ---
	2 PLACES ± 0.30	± ---
	1 PLACE ± ---	± ---
	ANGULAR ± 3 °	

DIMENSION STYLE		SCALE	DESIGN UNITS	THIRD ANGLE PROJECTION
MM ONLY		NTS	METRIC	△
DRAWN BY	DATE	TITLE		
BOKOK	2007/02/26	PROJECTOR LAMP CONNECTOR		
CHECKED BY	DATE	13MM PITCH, RECEPTACLE		
CGOH	2007/03/01	TERMINAL		
APPROVED BY	DATE	MOLEX INCORPORATED		
KCLING	2007/03/01	SD-78036-003		
MATERIAL NO.	DOCUMENT NO.	SHEET NO.		
SEE TABLE		1 OF 3		

THIS DRAWING CONTAINS INFORMATION THAT IS PROPRIETARY TO MOLEX INCORPORATED AND SHOULD NOT BE USED WITHOUT WRITTEN PERMISSION	
---	--

10 9 8 7 6 5 4 3 2 1

F

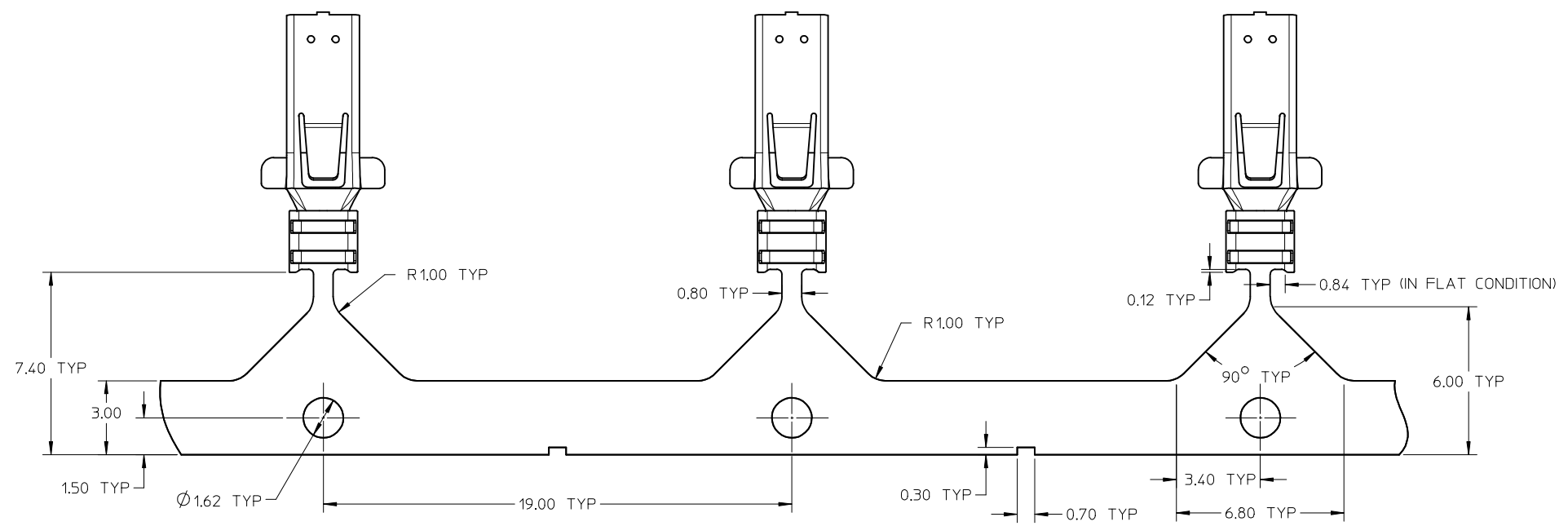
E

D

C

B

A



TERMINAL LAYOUT  $\triangle 6$

ADD DIM 3.64 EC NO: S2009-0512 DRWN:EMENARLY 2009/02/06 CHKD:CGOH 2009/02/06 APPR:BOKOK 2009/02/06	QUALITY SYMBOLS	GENERAL TOLERANCES (UNLESS SPECIFIED)	DIMENSION STYLE	SCALE	DESIGN UNITS	THIRD ANGLE PROJECTION
	$\nabla=0$ $\triangle=0$	mm    INCH 4 PLACES ± --- ± --- 3 PLACES ± --- ± --- 2 PLACES ± 0.30 ± --- 1 PLACE ± --- ± --- ANGULAR ± 3 °	MM ONLY	NTS	METRIC	
	DESCRIPTION	DRAFT WHERE APPLICABLE MUST REMAIN WITHIN DIMENSIONS	DRAWN BY: BOKOK    DATE: 2007/02/26 CHECKED BY: CGOH    DATE: 2007/03/01 APPROVED BY: KCLING    DATE: 2007/03/01	TITLE: PROJECTOR LAMP CONNECTOR 13MM PITCH, RECEPTACLE TERMINAL MOLEX INCORPORATED		
	REV		SEE TABLE	MATERIAL NO.	DOCUMENT NO.	SHEET NO.

9 8 7 6 5 4 3 2 1

10 9 8 7 6 5 4 3 2 1

F

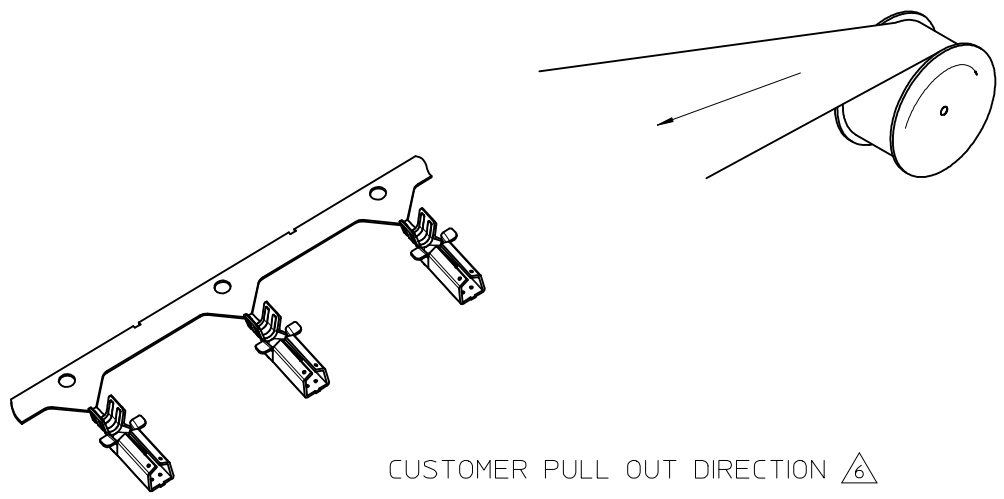
E

D

C

B

A



CUSTOMER PULL OUT DIRECTION  $\triangle 6$

ADD DIM 3.64 EC NO: S2009-0512 DRW: NIGMENARLY CH: KD: CGOH APPR: BOKOK	2009/02/06 2009/02/06 2009/02/06	DESCRIPTION REV	QUALITY SYMBOLS $\blacktriangledown = 0$ $\triangle = 0$	GENERAL TOLERANCES (UNLESS SPECIFIED)		DIMENSION STYLE MM ONLY		SCALE NTS	DESIGN UNITS METRIC	$\odot$ $\square$ THIRD ANGLE PROJECTION			
				4 PLACES $\pm$ --- $\pm$ --- 3 PLACES $\pm$ --- $\pm$ --- 2 PLACES $\pm$ 0.30 $\pm$ --- 1 PLACE $\pm$ --- $\pm$ ---	mm      INCH	DRAWN BY BOKOK	DATE 2007/02/26	TITLE PROJECTOR LAMP CONNECTOR 13MM PITCH, RECEPTACLE TERMINAL					
				ANGULAR $\pm$ 3 °	CHECKED BY CGOH	DATE 2007/03/01	MOLEX INCORPORATED						
			DRAFT WHERE APPLICABLE MUST REMAIN WITHIN DIMENSIONS	SEE TABLE	APPROVED BY KCLING	DATE 2007/03/01	MATERIAL NO.	DOCUMENT NO. SD-78036-003	SHEET NO. 3 OF 3				

9 8 7 6 5 4 3 2 1