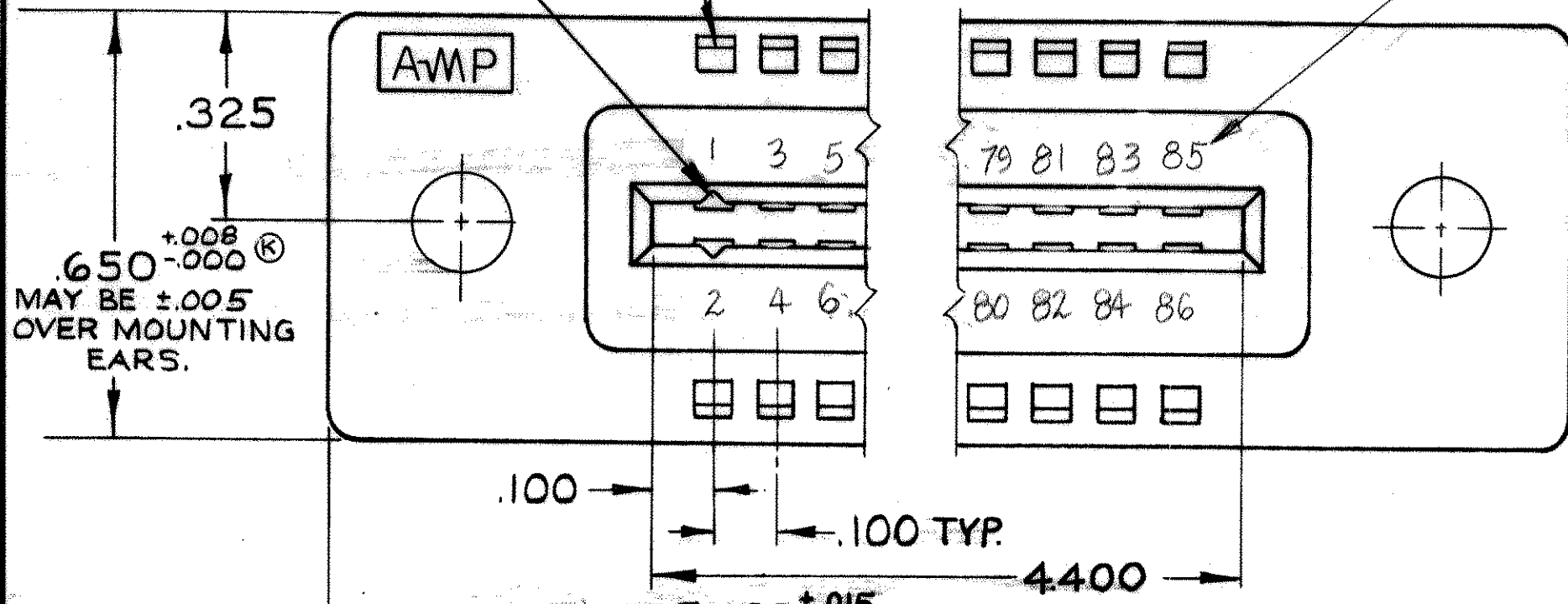


© 1962 BY AMP INCORPORATED. ALL RIGHTS RESERVED. AMP PRODUCTS COVERED BY PATENTS AND/OR PATENTS PENDING. APPROVED PER GOVT CONTRACT NO.

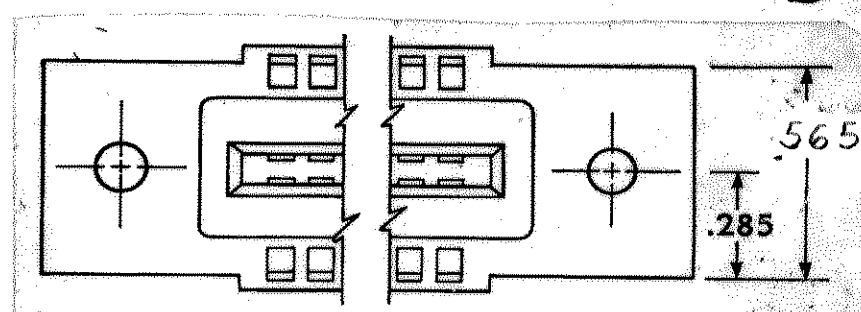
LOCATION FOR AMP-TAB FEMALE CONTACT

CAVITY IDENTIFICATION STAMPED ON TOP SURFACE OF ASSY - PT NO ONLY

REVISIONS				
ZONE	LTR	DESCRIPTION	DATE	APPROVED
✓	T	REVISED PER 0600-3683-95	TA	10-95 J. WARNER
	U	REV PER CG3D-0250-01	CT	3-02 C.T.
	V	ECO-08-020973	PY	11-08 JW

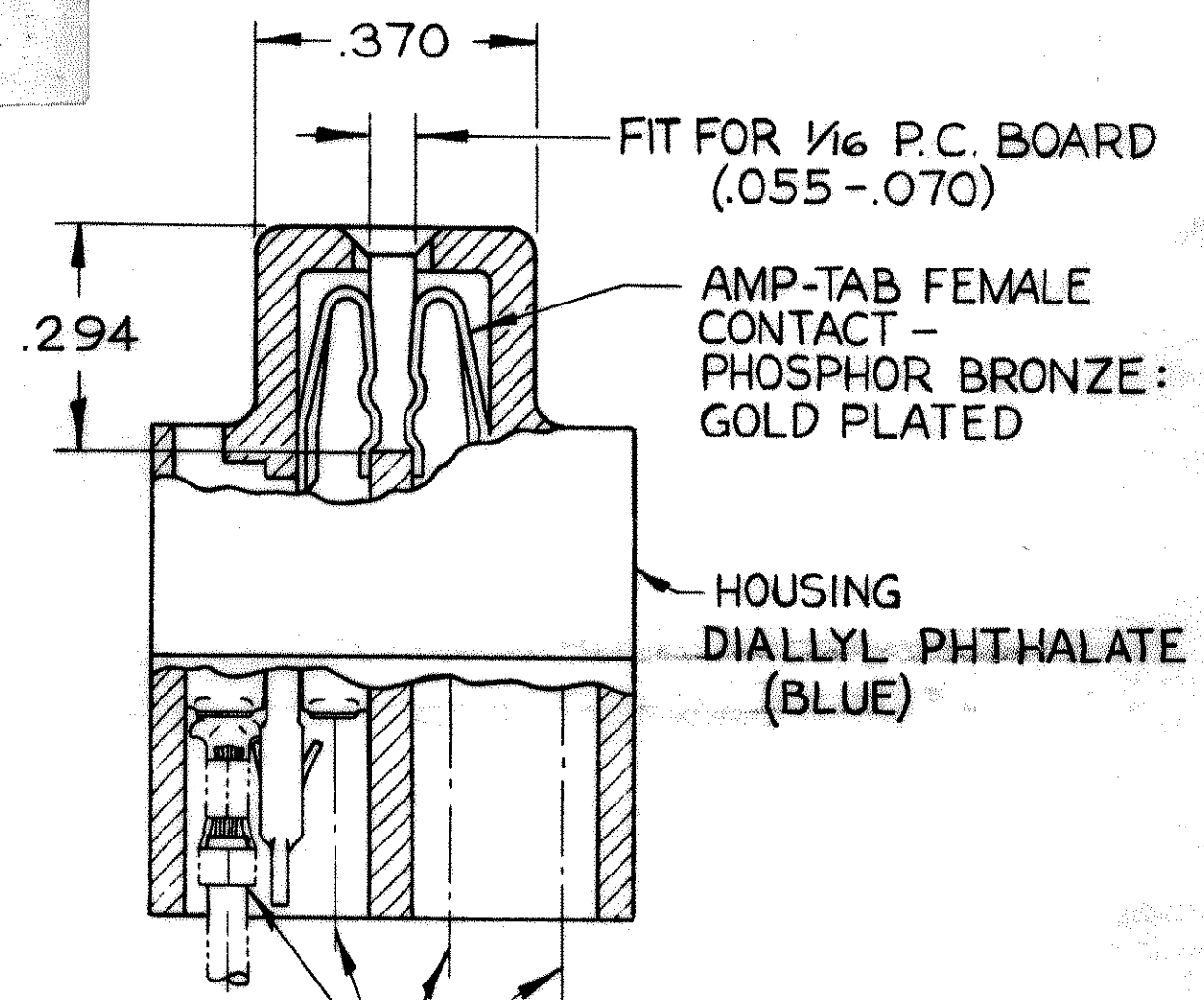


- 582593-1 1. AS SHOWN "J" DIA. HOLES = .128
- 085 582593-2 1. SAME AS -1 EXCEPT:
2. "J" DIA. HOLES = .156
- 3 1. SAME AS -1 EXCEPT:
2. CUSTOMER PART NO STAMPED ON SIDE.



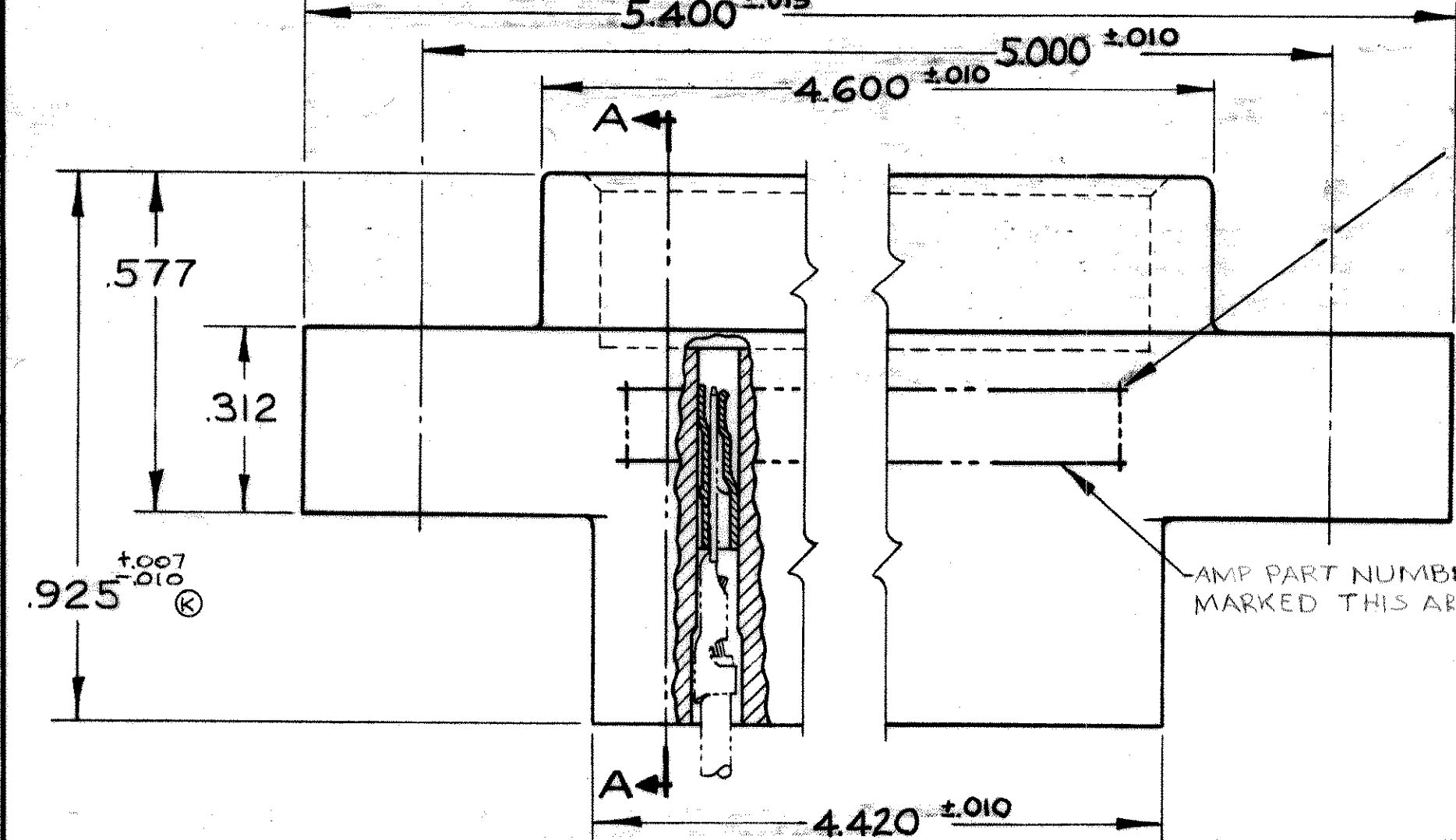
ALTERNATE MOUNTING EAR CONFIGURATION

CUSTOMER PART NO 10001-2531088 MARKED IN THIS APPROX. AREA ON SIDE 2 THRU 86 FOR -3 ONLY



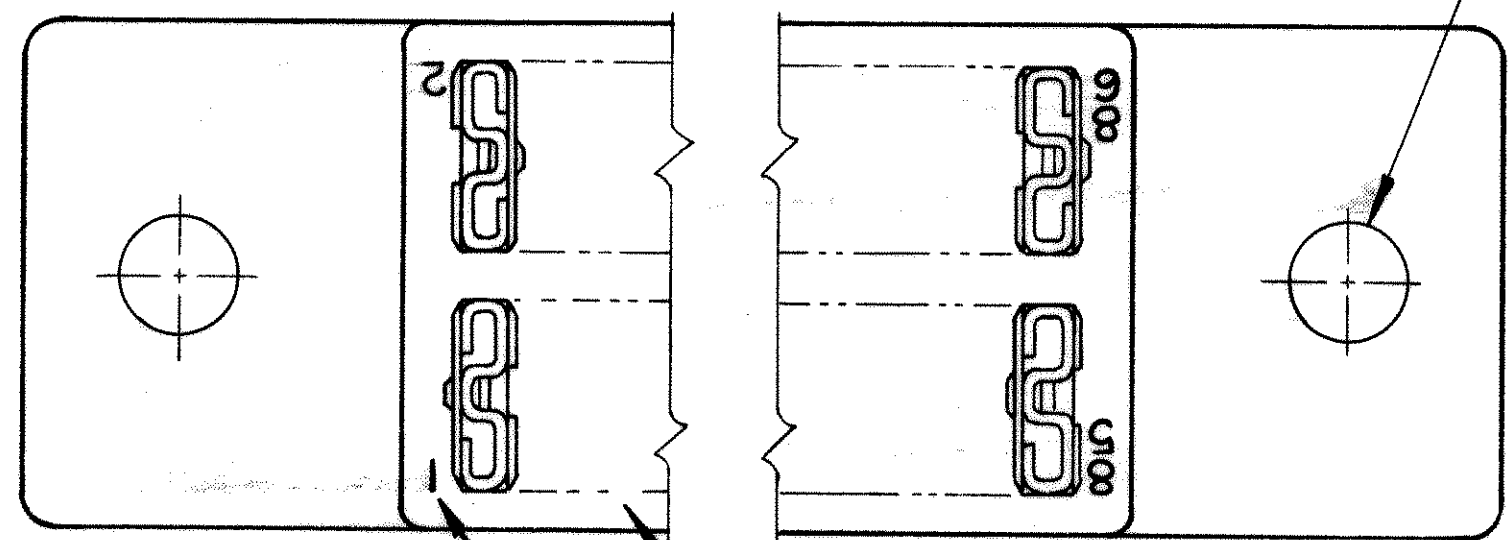
SECTION A-A

▲ GROOVES FOR "ON CONTACT KEYING" AMP'S OPTION DEPENDING ON METHOD OF MANUFACTURE. FOR "ON CONTACT" KEYING USE KEYING PLUG P/N 583487-1. (MUST BE ORDERED SEPARATELY.)
▲ MOUNTING EAR CONFIGURATION AMP'S OPTION DEPENDS ON METHOD OF MANUFACTURE.



AMP PART NUMBER AND DATE CODE MARKED THIS AREA

±.003 (M) "J" DIA. HOLES



CIRCUIT CAVITY IDENTIFICATION MARKING PER MIL-C-21097

MARK FIRST 5 POSITIONS NEXT 5 POSITIONS PLAIN

3. LASER MARKING ACCEPTABLE FOR ALL MARKING

UNLESS OTHERWISE SPECIFIED DIMENSIONS ARE IN INCHES TOLERANCES ON FRACTIONS DECIMALS ANGLES ± .005 ± .005 ± .005		CONTRACT NO		AMP INCORPORATED HARRISBURG, PENNSYLVANIA	
SEE CALLOUT		DR J. Asink	DATE 12-16-66	NAME 43 POSITION AMP-TAB CONNECTOR .100 CENTERS QUAD	
SEE CALLOUT		CHK Mark Warner	DATE 12-28-66	NUMBER 582593	
HEAT TREAT		APPD J. Kaufman	DATE 1-10-67	REV V	
FINISH		DSGN APPD R. Showman	DATE 1/10/67	SCALE 4-1	
SEE CALLOUT		OTHER APPD		SHEET 1 OF 1	

AMP INFO LOC PRINT/DIST DF FO

NUMBER CUS. 582593