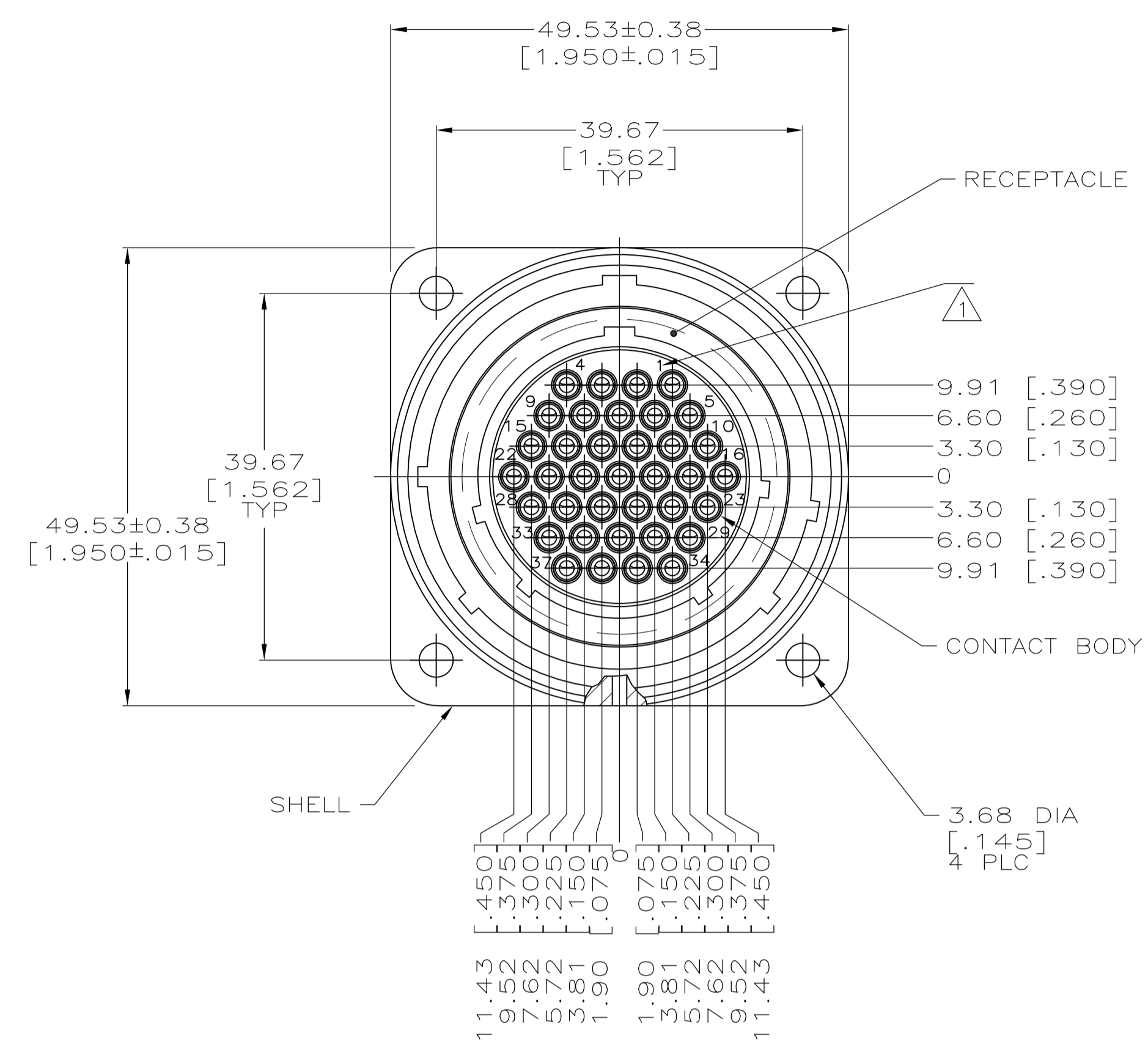
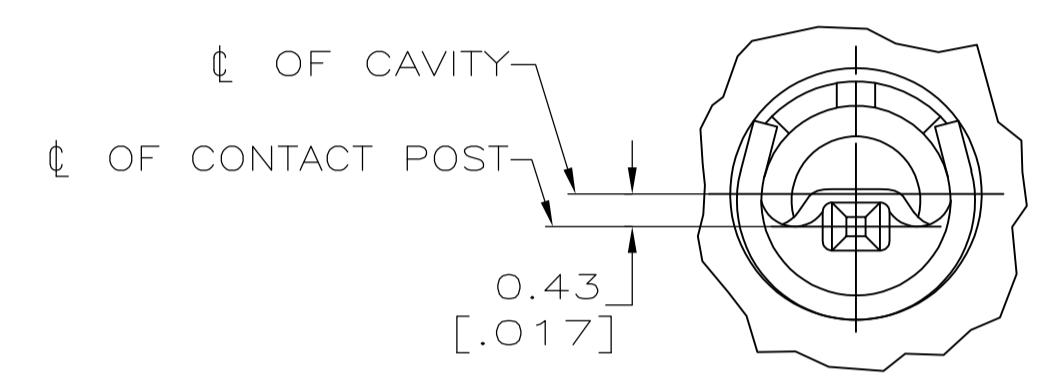
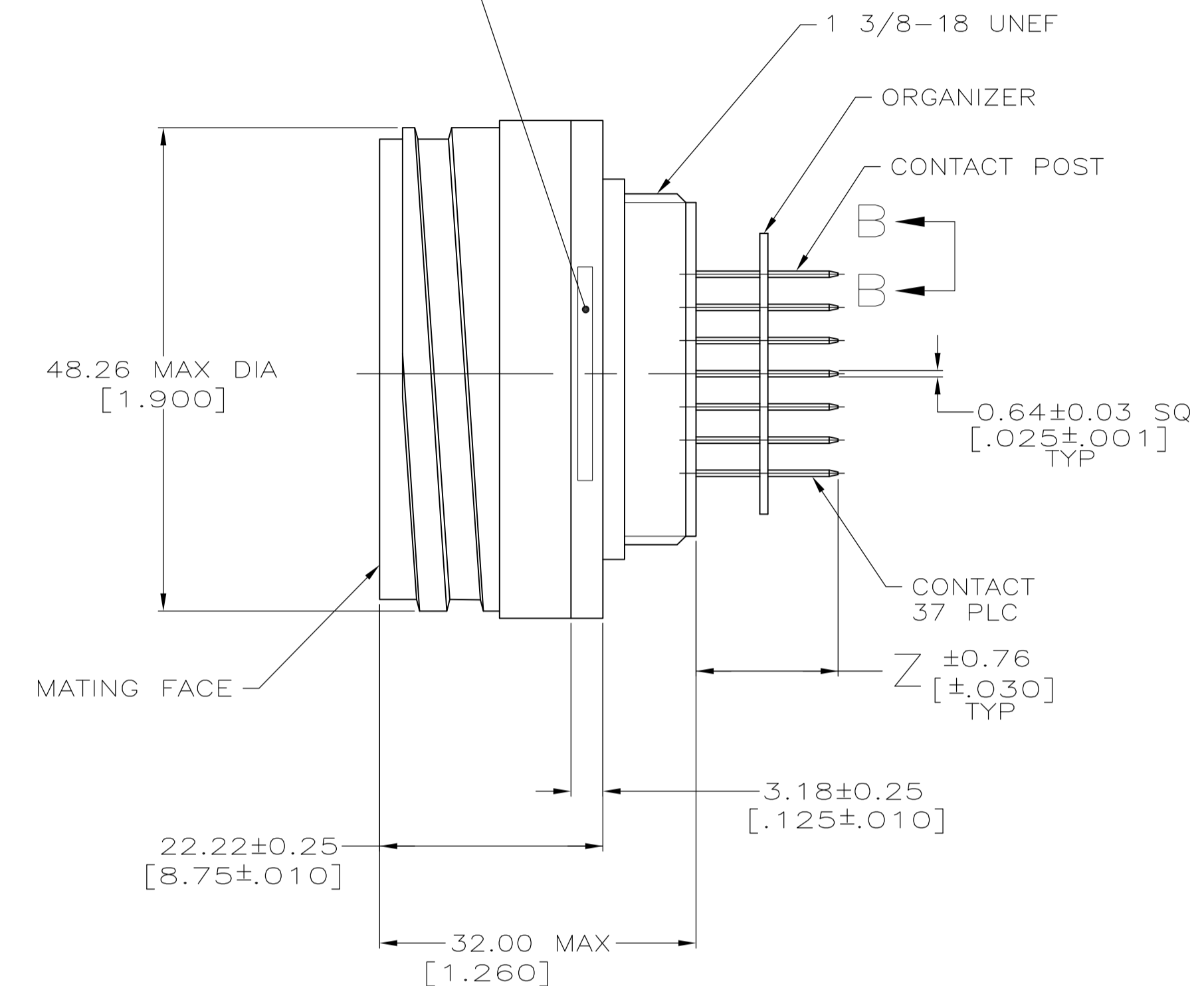


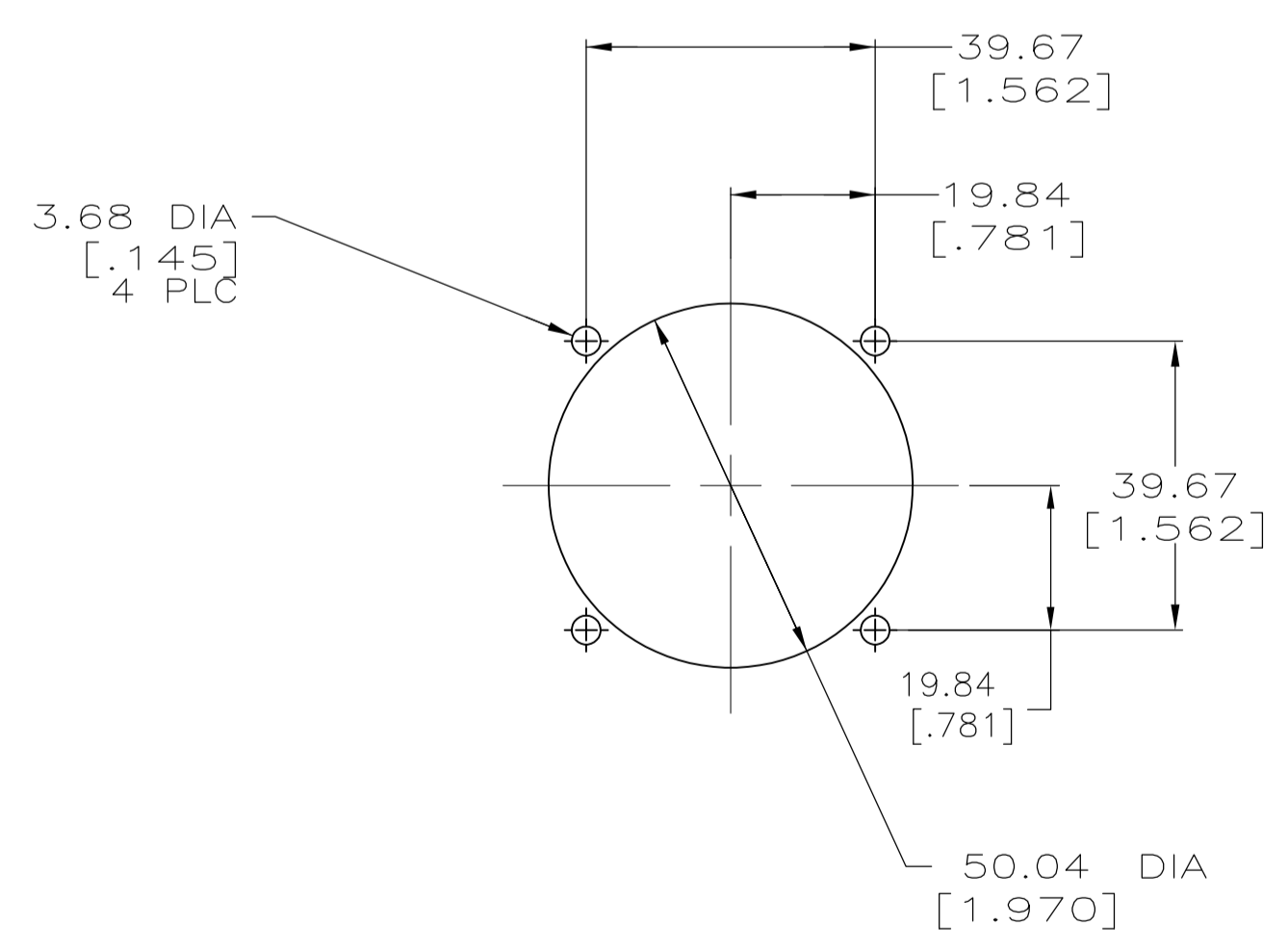
| REVISIONS | | | | | |
|-----------|-----|---------------------------|-----------|----|------|
| P | LTR | DESCRIPTION | DATE | DN | APVD |
| E | 1 | REVISED PER ECO-16-004800 | 08SEP2016 | NK | MZ |
| F | | REVISED PER ECO-16-018358 | 09MAR2017 | RS | MZ |



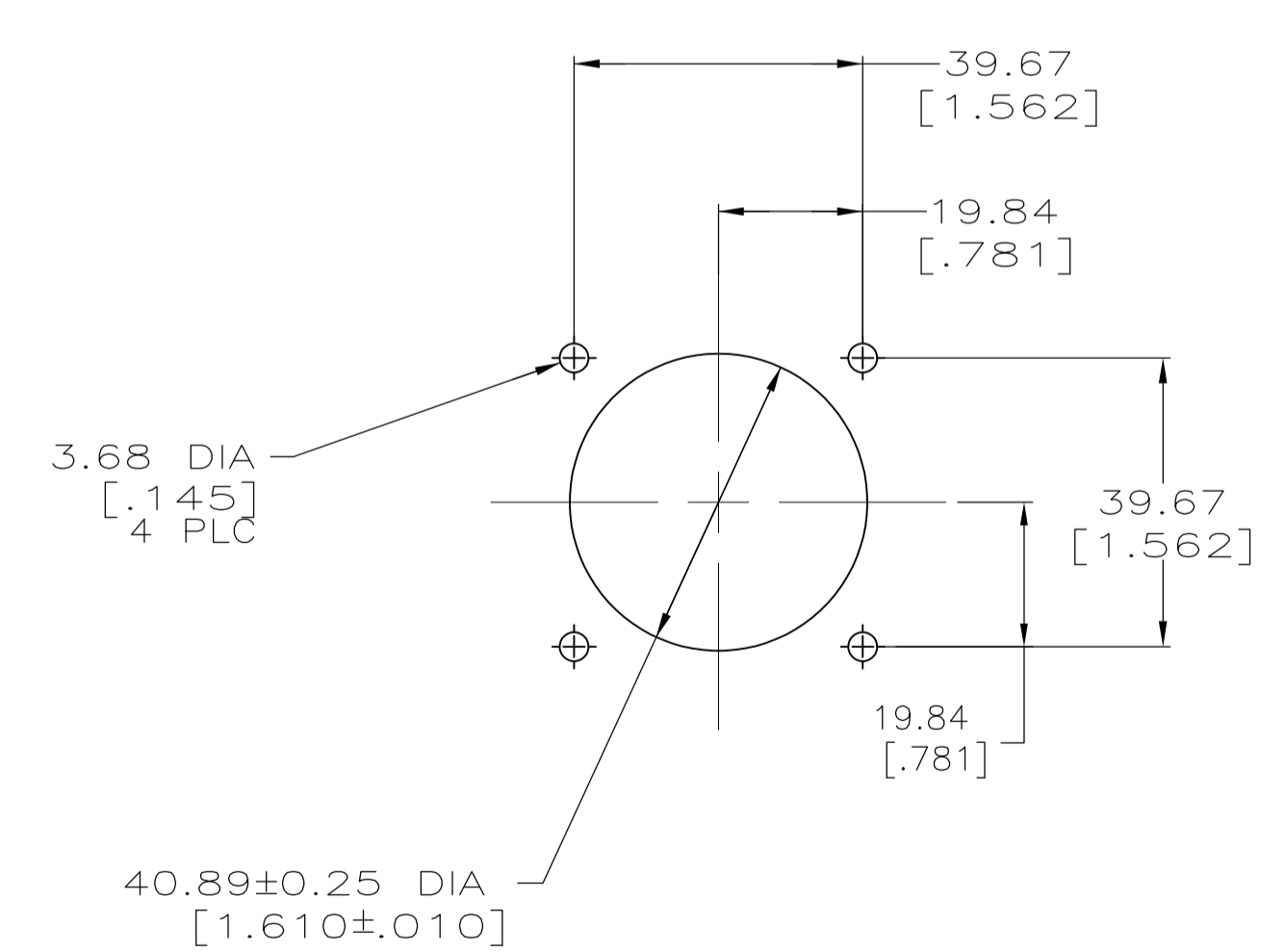
PART NO & DATE CODE MARKED IN AREA INDICATED, ON EITHER SIDE



VIEW B-B
SCALE 10:1
TYPICAL



REAR MOUNTED PANEL CUTOUT
SCALE 1:1



FRONT MOUNTED PANEL CUTOUT
SCALE 1:1

- ⚠ CAVITY IDENTIFICATION CHARACTERS ON FRONT AND REAR FACE.
- ⚠ NYLON, UL 94V-0 RATED, BLACK.
- ⚠ CONTACT BODY: 0.76µm [.000030] MIN GOLD FOR A LENGTH OF 2.54 [.100] MIN FROM MATING END, GOLD FLASH ON REMAINDER, BOTH OVER 1.27µm [.000050] MIN NICKEL. CONTACT POST: 2.54µm [.000100] MIN TIN-LEAD OVER 2.54µm [.000100] MIN COPPER.
- ⚠ 5.08µm [.000200] MIN NICKEL OVER 10.16µm [.000400] MIN COPPER.
- ⚠ CONTACT BODY: 0.76µm [.000030] MIN GOLD FOR A LENGTH OF 2.54 [.100] MIN FROM MATING END, GOLD FLASH ON REMAINDER, BOTH OVER 1.27µm [.000050] MIN NICKEL. CONTACT POST: 2.54µm [.000100] MIN TIN OVER 2.54µm [.000100] MIN COPPER.
- ⚠ SELECT LOAD CONTACTS 35 & 36 REMOVED.

| OBsolete | YES | NO | REVISION | DATE | PART NUMBER |
|----------|-----------|----------------|----------|---------------|-------------|
| | YES | NO | ⚠ | 41.40 [1.630] | 213597-5 |
| | NO | YES | ⚠ | 16.38 [.645] | 213597-4 |
| OBsolete | NO | YES | ⚠ | 16.38 [.645] | 213597-3 |
| | NO | YES | ⚠ | 16.38 [.645] | 213597-2 |
| | NO | YES | ⚠ | 14.15 [.557] | 213597-1 |
| NOTES | ORGANIZER | CONTACT FINISH | Z | PART NUMBER | |

THIS DRAWING IS A CONTROLLED DOCUMENT.

| | | | | | |
|--|--|---------------------|---------------------|----------------------|--------------------|
| DIMENSIONS: mm [INCHES] | TOLERANCES UNLESS OTHERWISE SPECIFIED: | DIN L SIDE 4-23-90 | CRK R STONE 4-25-90 | APVD K DeOLD 4-25-90 | NAME |
| 0 PLC ± - | 1 PLC ± - | 2 PLC ± 0.13 [.005] | 3 PLC ± - | 4 PLC ± - | ANGLES ± - |
| MATERIAL: RECEPTACLE: SHELL: ZINC CONTACT: BRASS | FINISH: SHELL: CONTACT: | WEIGHT | SIZE: A1 | CAGE CODE: 00779 | DRAWING NO: 213597 |
| CUSTOMER DRAWING | | | SCALE: 2:1 | SHEET: 1 of 1 | REV: F |

STE TE Connectivity
RECEPTACLE ASSEMBLY, 28-37, REVERSE SEX, CMC